

# TIMETRAX™ SYNC PoE DIGITAL CLOCK

## Installation Instructions

SIMPLE ⚙️ SMART™

### OVERVIEW

Thank you for choosing a TimeTrax™ Sync PoE Clock System. The TimeTrax™ PoE Clock System is capable of receiving both its time and power from a cost-effective and reliable Power over Ethernet source.

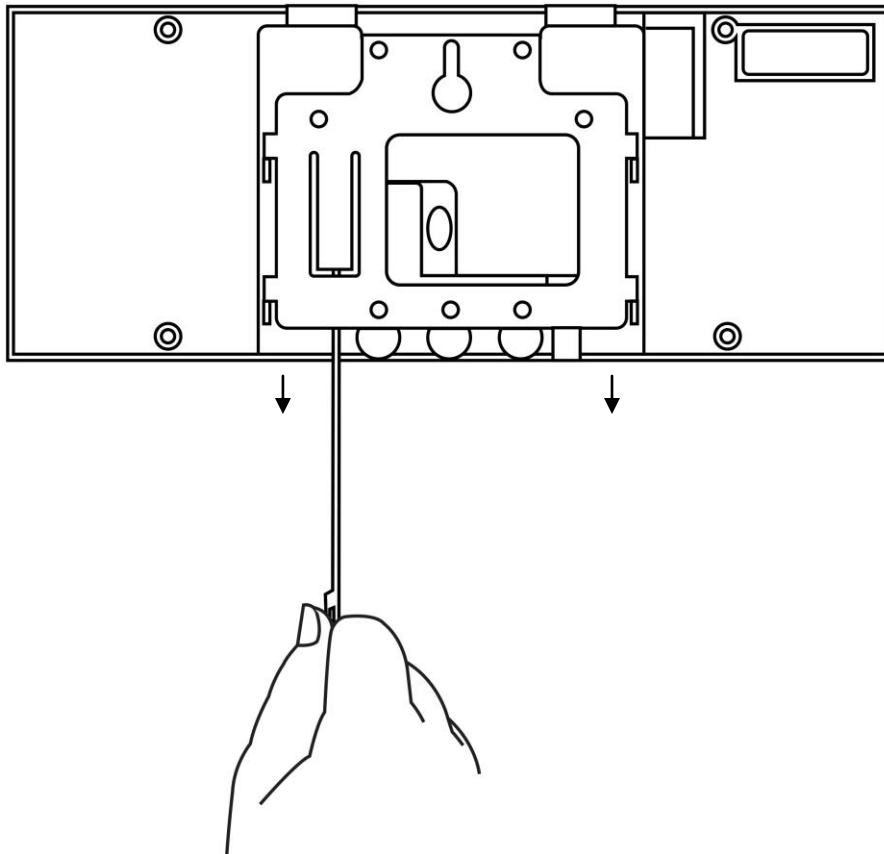
The POE Analog Clock may be powered by the Ethernet (see PoE Switch Method-pg. 2). An alternative method is to use a standard Ethernet Switch in combination with a PoE port injector (see NON-PoE Switch Method-pg 3).

**IMPORTANT: Prior to clock installation, install TimeTrax™ Sync software (part # SASDLCWDXX separately).** Before clock installation, please remove security bracket from back of clock (see instructions below).

For more information, visit [pyramidthimesystems.com](http://pyramidthimesystems.com) or call our technical support team at **888.479.7264** during regular business hours: **8am-5pm EST, M-F**.

### SECURITY BRACKET REMOVAL

- ① Prior to installation, detach metal security bracket from clock by inserting included release key into slot located on back of clock.
- ② Push key all the way into slot. Key will slide easily until some resistance from locking tab is felt.
- ③ With key fully engaged, slide the security bracket down and off of the clock.



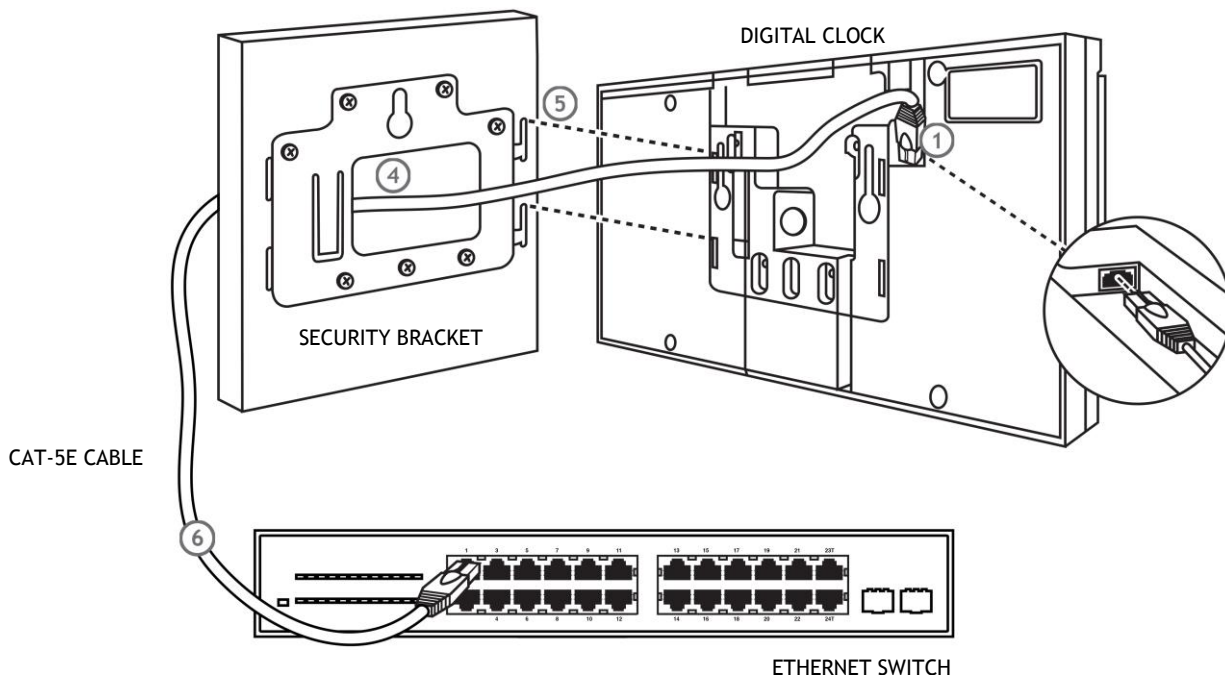
# TIMETRAX™ SYNC PoE DIGITAL CLOCK

## Installation Instructions (cont.)

SIMPLE : SMART™

### PoE SWITCH METHOD

- ① Connect CAT-5E Ethernet cable (sold separately) into RJ-45 Ethernet port located on back of clock. If using standard electrical box mounting method, please advance to step 3.
- ② If not using electrical box, hold security bracket flush against wall, level & mark four screw holes close to corner tabs. Drill holes as marked and secure bracket to wall using provided screws and wall anchors. Drill hole centered in square opening of bracket. The hole should be large enough to route Ethernet cable through wall. Advance to step 4.
- ③ If using electrical box, install metal security bracket onto a standard electrical box.
- ④ Route the CAT 5E Ethernet cable through the square opening of security bracket. Pull cable to Ethernet switch.
- ⑤ Push clock onto security bracket aligning four tabs on bracket with four matching slots on back of terminal. Slide clock downward until locking tab clicks into place. When properly mounted, clock cannot be slid up and off bracket without using included wall bracket release key to disengage locking tab.
- ⑥ Connect free end of CAT-5E Ethernet cable into Power over Ethernet Switch (sold separately).
- ⑦ Upon successful connection, clock will display 88:88:88. Accurate time will display after 1-2 minutes.
- ⑧ Run TimeTrax™ Sync software to begin “DEVICE DISCOVERY” and customize configurations. (refer to software User Guide).



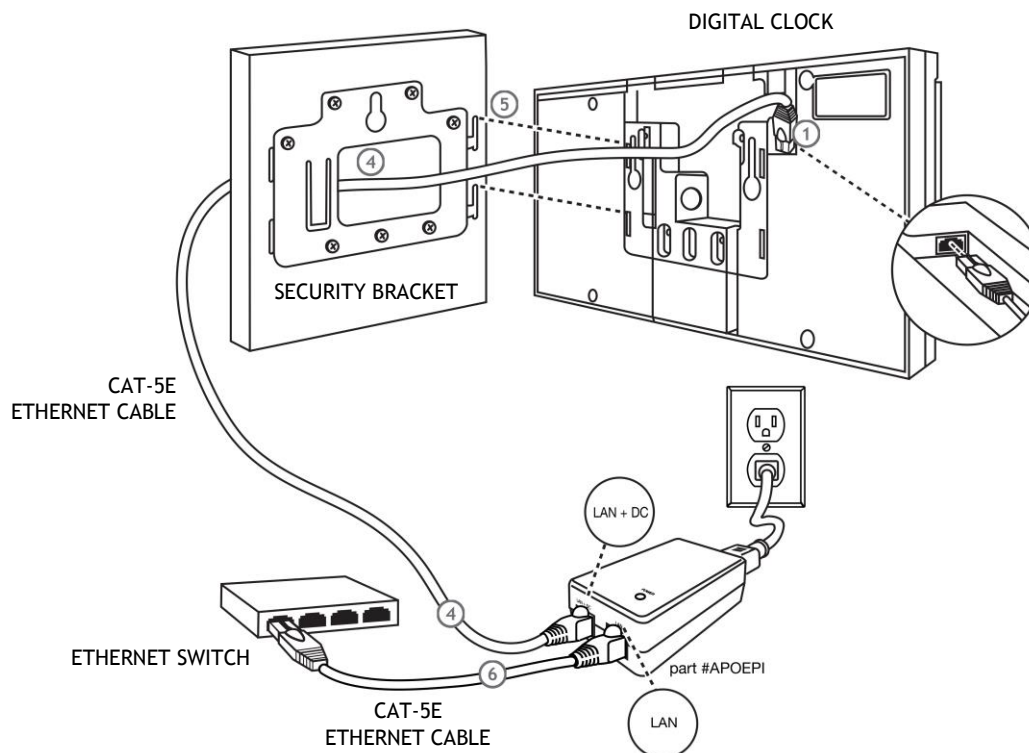
# TIMETRAX™ SYNC PoE DIGITAL CLOCK

## Installation Instructions (cont.)

SIMPLE : SMART™

### NON-POE SWITCH METHOD

- 1 Connect CAT-5E Ethernet cable (sold separately) into Ethernet RJ-45 port located on back of clock. If using standard electrical box mounting method, please advance to step 3.
- 2 If not using electrical box, hold security bracket flush against wall, level & mark four screw holes close to corner tabs. Drill holes as marked and secure bracket to wall using provided screws and wall anchors. Drill hole centered in square opening of bracket. The hole should be large enough to route Ethernet cable through wall. Advance to step 4.
- 3 If using electrical box, install metal security bracket onto a standard electrical box.
- 4 Route the CAT-5E Ethernet cable through the square opening of security bracket, or if preferred pull cable directly to Ethernet PoE Port Injector (part #APOEPI sold separately). Connect free end of CATE-5E Ethernet cable into Ethernet Port Injector “LAN +DC” port. Plug Ethernet Port Injector into standard wall outlet.
- 5 Push clock onto security bracket aligning four tabs on bracket with four matching slots on back of terminal. Slide clock downward until locking tab clicks into place. When properly mounted, clock cannot be slid up and off bracket without using included wall bracket release key to disengage locking tab.
- 6 Connect another CAT-5E Ethernet cable (sold separately) into Ethernet Port Injector “LAN” port. Connect free end of CAT-5E Ethernet cable into Ethernet Switch.
- 7 Upon successful connection, clock will display 88:88:88. Accurate time will display after 1-2 minutes.
- 8 Run TimeTrax™ Sync software to begin “DEVICE DISCOVERY” and customize configurations. (refer to software User Guide).



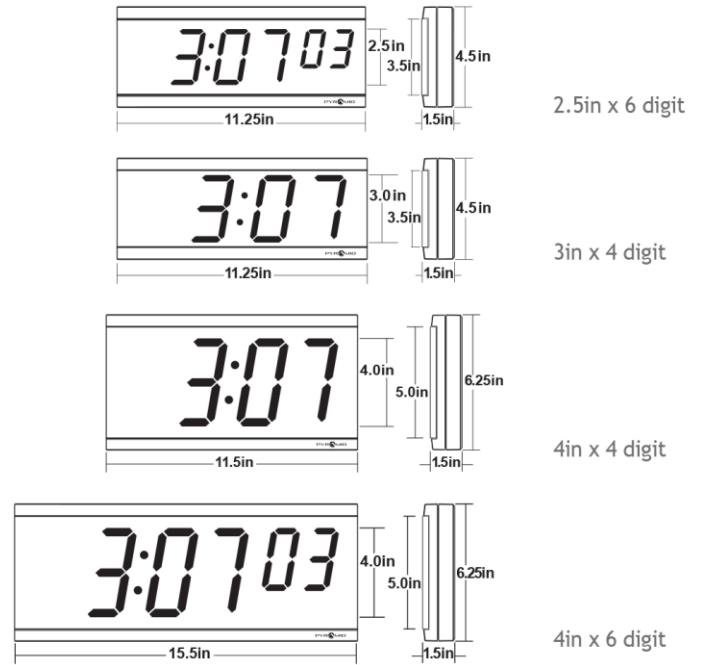
# TIMETRAX™ SYNC PoE DIGITAL CLOCK

## Installation Instructions (cont.)

SIMPLE : SMART™

### SPECIFICATIONS

Time Base	Microprocessor	
Time Update Frequency	Configurable ( 1/minute - 1/week)	
Method	NTP time server	
	ETHERNET RJ 45	CORD
Power Input	48VDC	105-120 VAC
Average Power Consumption	4.848 Watts	5.6 Watts
Operating Temp	-30 °F (-34.44 °C) to 130 °F (54.44 °C)	
Warranty	3-Year manufacturer's limited warranty	
Guarantee	30-Day money back guarantee	
Compliance	IEEE 802.3af/ANSI X3.263	
Includes	Security mounting bracket & key, wall mounting template, security mounting bracket template	
<b>DISPLAY</b>		
Display Format	12 or 24 hour mode	
Digits	7 segment LED digits	
Visibility	100ft (30.5m) 2.5in digit height 200ft (60.96m) 3in digit height 250ft (76.05m) 4in digit height	
LED Color	Red	
<b>CASE</b>		
Case	Smooth surface 94VO/5VA ABS	
Bezel Color	Black or Silver	
Lens	Shatterproof, side molded, polished polycarbonate crystal	
Mounting	Wall, Dual Wall, Dual Ceiling	
<b>CHARACTER HEIGHT/DIGITS</b>	<b>WEIGHT</b>	<b>DIMENSIONS (WXHxD)</b>
2.5in/6-digit	1.5lbs (0.680kg)	11.25in x 4.5in x 1.5in (28.25cm x 11.5cm x 3.75cm)
3in/4-digit	1.5lbs (0.680kg)	11.25in x 4.5inx1.5in
4in/4-digit	1.9lbs (0.861kg)	11.5in x 6.25in x 1.5in (29cm x 15.75cm x 3.75cm)
4in/6-digit	2.3lbs (1.043kg)	15.5in x 6.25in x 1.5in (39cm x 15.75cm x 3.75cm)



# TIMETRAX™ SYNC PoE DIGITAL CLOCK Installation Instructions (cont.)

SIMPLE : SMART™

## ACCESSORIES

PART#	DESCRIPTION
SASDLCWDXX*	TimeTrax™ Sync Software
APOEPI	Ethernet Port Injector & 6ft power cable
42227-1	20ft Category 5E Ethernet Cable
42321	Dual Digital Clock Wall Bracket (3x4/2.5x6/4x4)
42422	Dual Digital Clock Wall Bracket (4x6)
42443	Dual Analog & Digital Ceiling Bracket
42316	4in x 6 digit Digital Clock Chrome Wire Guard
42400	4in x 4 digit Digital Clock Chrome Wire Guard
42689	Digital Clock Wash-Down Enclosure
42247	Digital Security Mount Replacement
42281	Wall Clock Security Mount Replacement Key

\*Required for clock synchronization.

## WARRANTY

### 3-YEAR LIMITED WARRANTY

Pyramid warrants its Synchronized Clock System to the original user against defective material or workmanship for a period of 3 years from date of purchase.

The manufacturer's responsibility under this Warranty is limited to repair or replacement of defective part or parts. Pyramid reserves the right to determine whether parts failed because of defective material, workmanship, or other causes. Failure caused by accident, alteration, misuse or improper packaging of returned unit is not covered by this Warranty. Any repair to equipment other than by Pyramid voids the Warranty. Users in territories other than USA, Canada, South America & Australia should contact the Dealer from whom the unit was purchased. The rights under this Warranty are limited to original user and may not be transferred to subsequent users.

If Customer Support cannot troubleshoot your problem over the phone, we will replace your unit free of charge if it is within warranty period. Please contact Customer Support at 888.479.7264 between the hours of 8am-5pmEST for details.

## TECHNICAL SUPPORT

Should you need to speak live to one our representatives, please call toll-free (US/Canada) at 888.479.7264 during regular business hours: 8am-5pmEST, Monday-Friday.