

# TIMETRAX™ SYNC POE ANALOG CLOCK

## Installation Instructions

SIMPLE : SMART®

### OVERVIEW

Thank you for choosing a TimeTrax™ Sync PoE Clock System. The TimeTrax™ PoE clock System is capable of receiving both its time and power from a cost-effective and reliable Power over Ethernet source.

The POE Analog Clock is powered by PoE Switch (not included) and CAT5 RJ45 cable (not included). See **PoE Switch Method** on pg. 2.

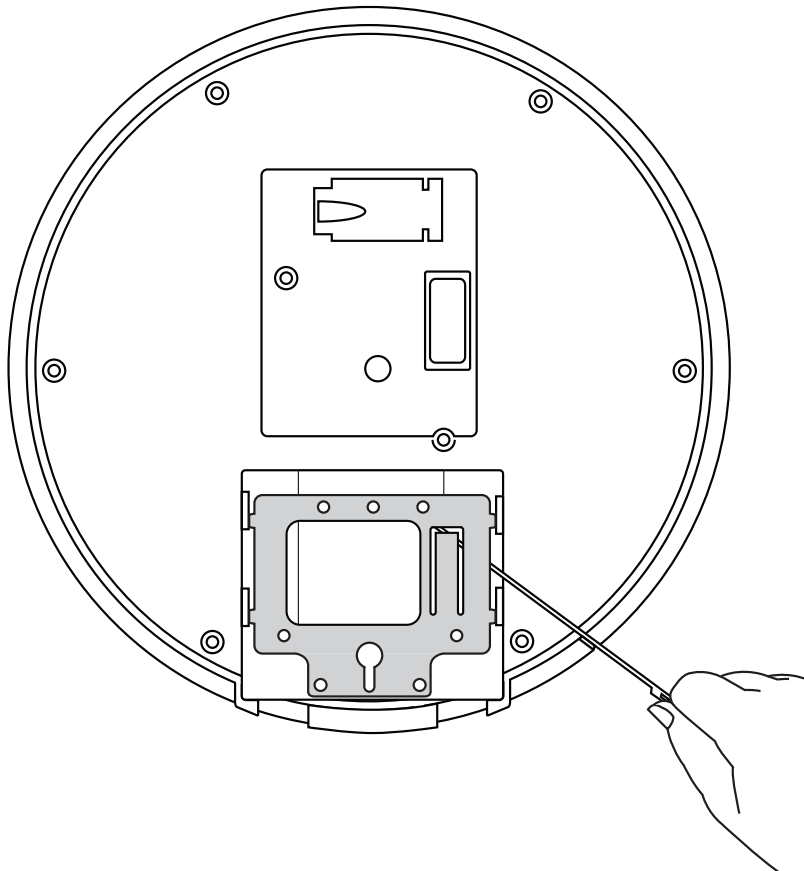
Alternate method is to use a PoE Port Injector. See **AC-DC Adapter Method** on pg. 3.

**IMPORTANT:** Prior to clock installation, install TimeTrax™ Sync Software (part# SASDLCWDXX sold separately).

For more information, visit [pyramidthimesystems.com](http://pyramidthimesystems.com) or call our support team at 888 479-7264 during our regular business hours M-F 8:30am-5pm EST.

### SECURITY BRACKET REMOVAL

- 1 Prior to installation, detach metal security bracket from clock by inserting included release key into slot located on back of clock.
- 2 Push key all the way into slot. Key will slide easily until some resistance from locking tab is felt.
- 3 With key fully engaged, slide the security bracket up and off of the clock.



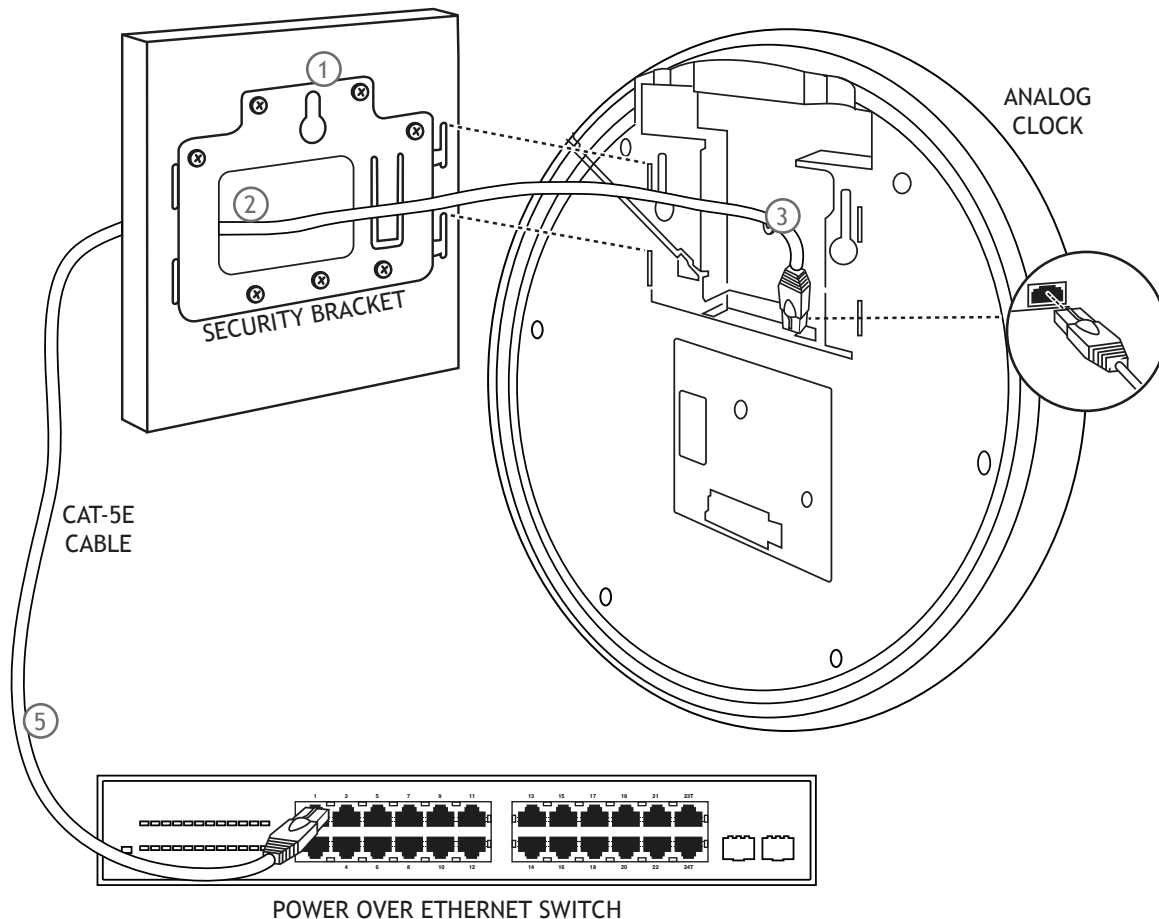
# TIMETRAX™ SYNC POE ANALOG CLOCK

## Installation Instructions

SIMPLE : SMART®

### POE SWITCH METHOD

- ① Install Security Bracket
  - A. Mount the security bracket flush against the wall using the template, four screws and wall anchors provided.
  - B. Install the security bracket onto the electrical box using 6-32 screws (not provided).
- ② Route an RJ45 Cat5E cable (not included) inside the wall through the rectangle opening of the security bracket.
- ③ Connect RJ45 cable into RJ45 Ethernet port on the back of the clock.
- ④ Push the clock onto the security bracket, aligning the 4 tabs on the bracket with the 4 matching slots on the back of the clock. Slide the clock downwards until the locking tabs click into place. When properly locked into place, the clock cannot be slid off the bracket without using the provided wall bracket release key to disengage the locking tab.
- ⑤ The other end of the RJ45 cable connects to your PoE Switch (see pictures).
- ⑥ Upon successful connection, the clock will automatically home to 12:00 and then will find and display the accurate time.
- ⑦ Run the TimeTrax™ Software to begin “device discovery” and to customize your configuration. Please refer to your software user guide.



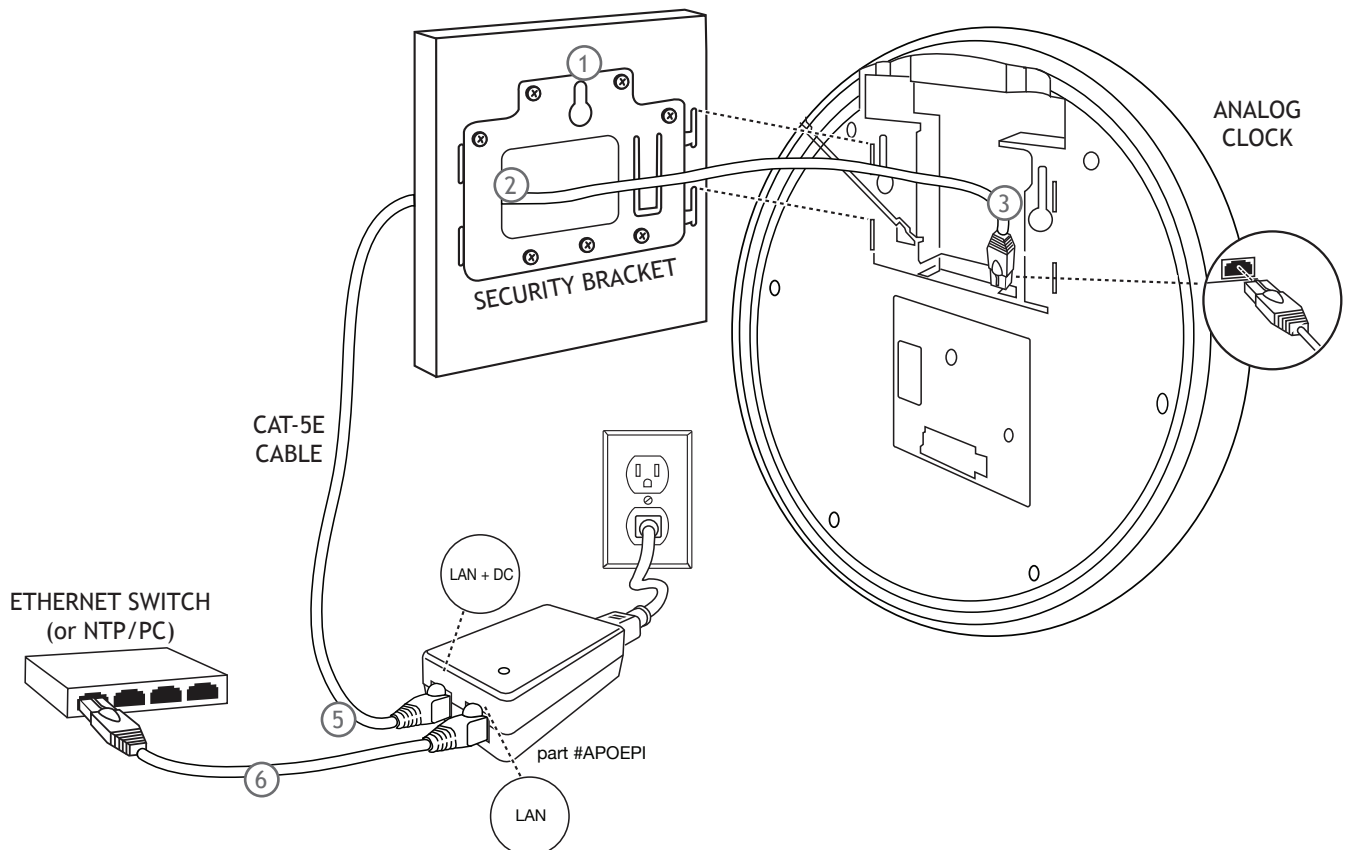
# TIMETRAX™ SYNC POE ANALOG CLOCK

## Installation Instructions

SIMPLE : SMART®

### AC-DC ADAPTER METHOD (PORT INJECTOR)

- ① Install Security Bracket
  - A. Mount the security bracket flush against the wall using the template, four screws and wall anchors provided.
  - B. Install the security bracket onto the electrical box using 6-32 screws (not provided).
- ② Route an RJ45 Cat5E cable (not included) inside the wall through the rectangle opening of the security bracket.
- ③ Connect RJ45 cable into RJ45 Ethernet port on the back of the clock.
- ④ Push the clock onto the security bracket, aligning the 4 tabs on the bracket with the 4 matching slots on the back of the clock. Slide the clock downwards until the locking tabs click into place. When properly locked into place, the clock cannot be slid off the bracket without using the provided wall bracket release key to disengage the locking tab.
- ⑤ The other end of the Cat5E RJ45 cable connects into Ethernet Port “LAN + DC” of the port injector.
- ⑥ Connect Ethernet Switch (NTP, PC) to Adapter(Injector) port “LAN” and power up the unit (see pictures).
- ⑦ Upon successful connection, the clock will automatically home to 12:00 and then will find and display the accurate time.
- ⑧ Run the TimeTrax™ Software to begin “device discovery” and to customize your configuration. Please refer to your software user guide.



# TIMETRAX™ SYNC POE ANALOG CLOCK

## Installation Instructions

SIMPLE : SMART®

### SPECIFICATIONS

Time Base	NTP	
Time Update Frequency	Selectable, 1 minute to 24 hours	
Method	NTP time server	
Power Input	48 VDC Power over Ethernet IEEE, 802.3af	
Average Power Consumption	0.96Watts	
Operating Temp	-30°F (-34.44°C) to 130°F (54.44°C)	
Warranty	3-Year manufacturer's limited warranty	
Guarantee	30-Day money back guarantee	
Compliance	IEEE 802.3af/ANSI X3.263	
Includes	Security mounting bracket & key, wall mounting template, security mounting bracket template	
	<b>ABS</b>	<b>WOOD</b>
Display	12 Hour, 12 Hour w/ seconds, 12/24 Hour or Custom Face	12 Hour, Roman Numeral
Case	Smooth surface 94VO/5VA ABS (black, silver or taupe finish)	Cherry, Oak or Walnut Hardwood (stain & polyurethane)
Face	Double opaque styrene	
Lens	Shatterproof, side molded, polished polycarbonate crystal	
Mounting	Wall or Dual Wall or Ceiling for 13in only	
<b>SIZE/MATERIAL</b>	<b>WEIGHT</b>	<b>DIMENSIONS</b>
13in ABS Bezel	2.8lbs (1.3kg)	13.25in x 2.5in (33.7cm x 6.5cm)
17in ABS Bezel	4.1lbs (1.9kg)	17in x 2.5in (43cm x 6.5cm)
16in Wood Bezel	5.5lbs (2.5kg)	16.5in x 2.4in (42cm x 6.4cm)
20in Wood Bezel	8.1lbs (3.8kg)	20.25in x 2.4in (51.1cm x 6.4cm)

### ACCESSORIES

PART#	DESCRIPTION
SASDLCWDX*	TimeTrax™ Sync Software
APOEPI	Ethernet Port Injector & 6ft power cable
42320	Dual 13in Analog Clock Wall Bracket Kit
42443	Dual 13in Analog & Digital Ceiling Bracket Kit
43193-1	Analog Clock Chrome Wire Guard
42690	13in Analog Clock Wash Down Enclosure
42247J	Analog Security Mount Replacement
42429E-1	Security Key 13in Analog Clocks
42429E-3	Security Key 17in Analog Clocks and all wood bezel clocks

\*Required for Synchronization

### WARRANTY

#### 3-YEAR LIMITED WARRANTY

Pyramid warrants its Synchronized Clock System to the original user against defective material or workmanship for a period of 3 years from date of purchase.

The manufacturer's responsibility under this Warranty is limited to repair or replacement of defective part or parts. Pyramid reserves the right to determine whether parts failed because of defective material, workmanship, or other causes. Failure caused by accident, alteration, misuse or improper packaging of returned unit is not covered by this Warranty. Any repair to equipment other than by Pyramid voids the Warranty. The rights under this Warranty are limited to original user and may not be transferred to subsequent users.

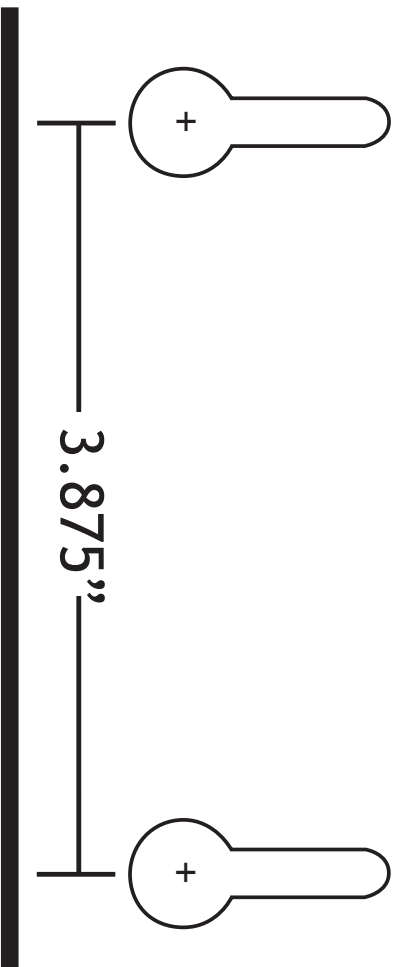
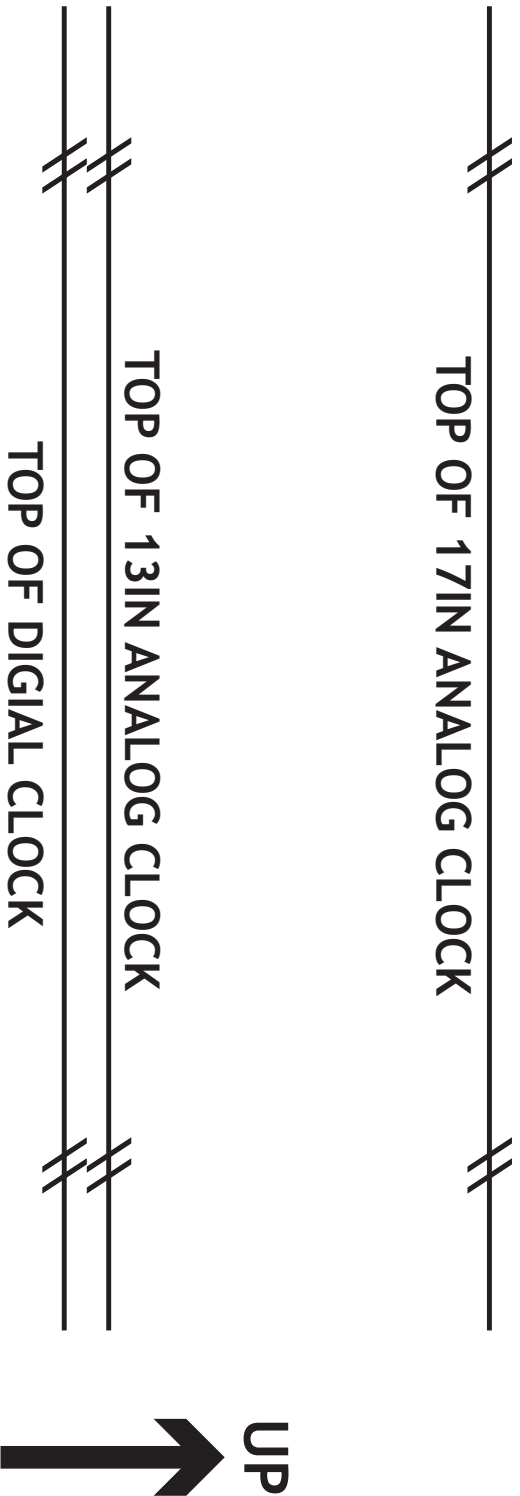
If Customer Support cannot troubleshoot your problem over the phone, we will replace your unit free of charge if it is within warranty period. Please contact Customer Support at 888.479.7264 between the hours of 8:30am and 5pm (EST), Monday through Friday, for details.

### TECHNICAL SUPPORT

Should you need to speak live to one of our representatives, please call toll-free (US/Canada) at 888.479.7264 during regular business hours 8:30am-5pm EST, Monday-Friday. Or send Email to: [WirelessSales@ptitime.com](mailto:WirelessSales@ptitime.com)

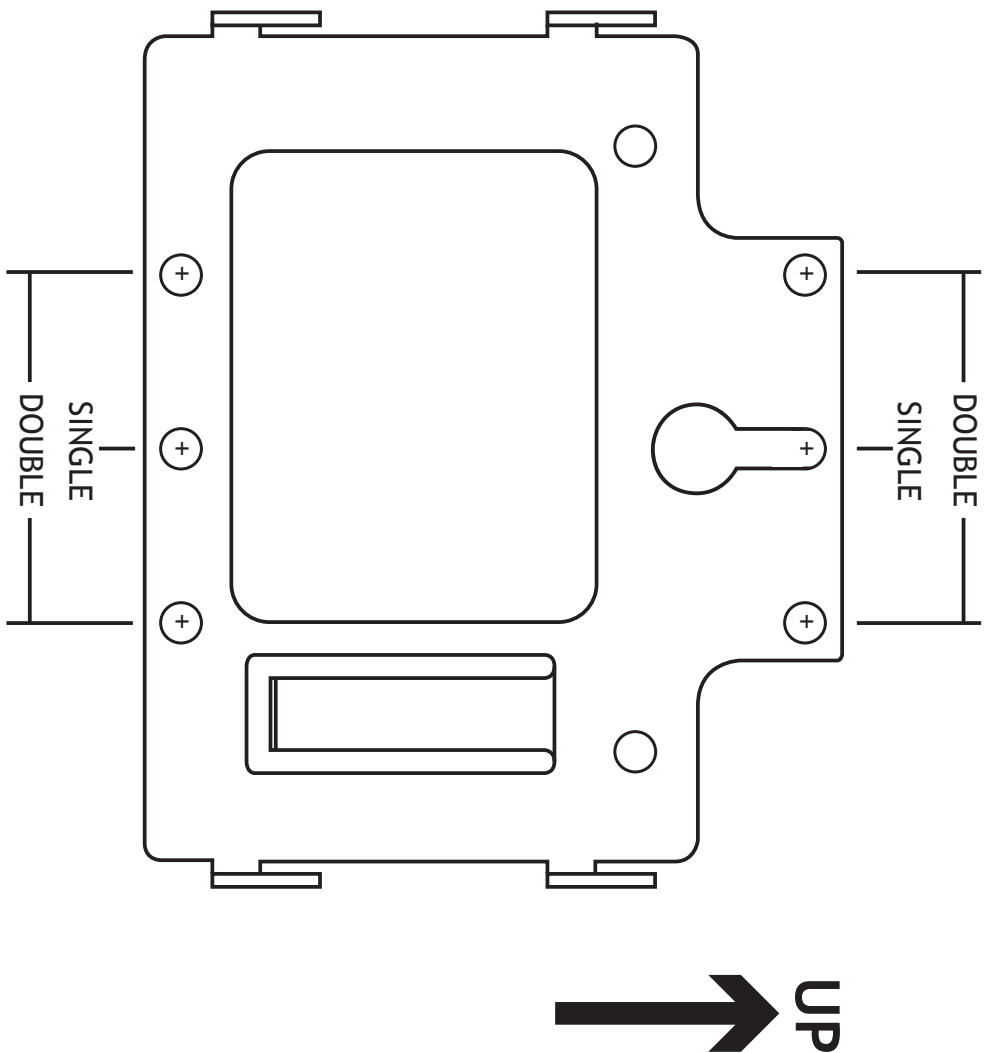
# CLOCK MOUNTING TEMPLATE

Screw Guide Template Below Is Actual Size



# SECURITY BRACKET MOUNTING TEMPLATE

Screw Guide Template Below Is Actual Size



**NOTE:**  
Bracket is designed  
for single or double  
electrical box.

**Level Line Marker**