

TIMETRAX™ SYNC RF WIRELESS ANALOG CLOCK

Installation Instructions

SIMPLE : SMART®

OVERVIEW

Thank you for choosing a TimeTrax™ Sync RF Wireless Clock System. The TimeTrax™ RF Wireless Clock System receives dependable, accurate time from the TimeTrax™ Sync RF Wireless Transmitter.

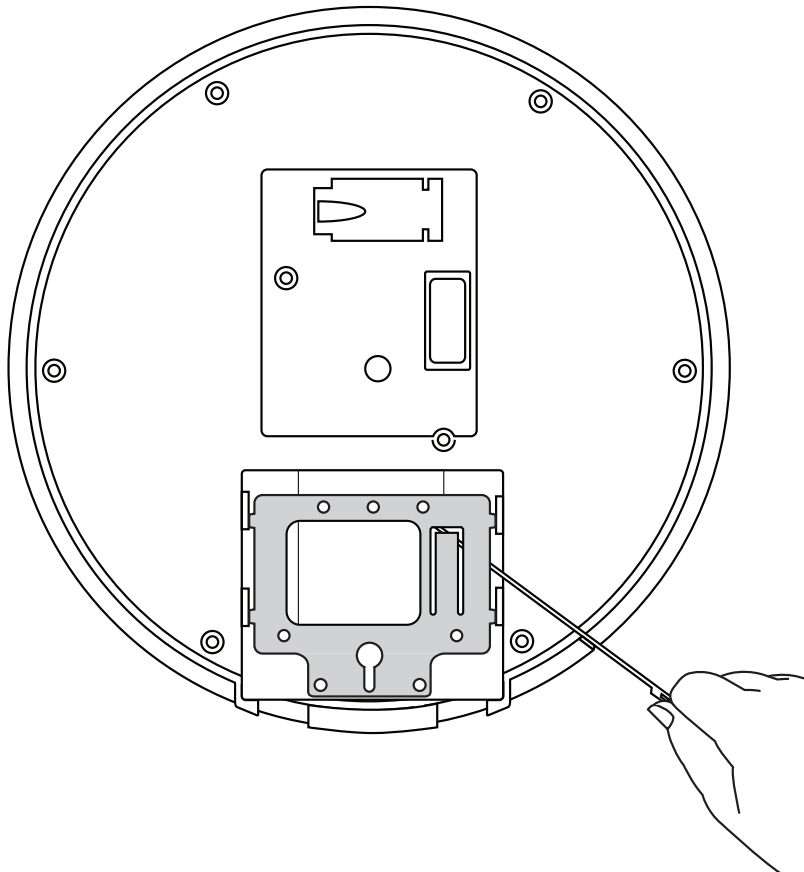
IMPORTANT: Prior to clock installation, install TimeTrax™ Sync RF Wireless Transmitter and complete software setup (part #9T1WI or S9DWXSLAUB sold separately).

IMPORTANT: WIRING MUST BE COMPLETED PER ELECTRICAL CODE AND PERFORMED BY A LICENSED ELECTRICIAN. Before clock installation, please remove security bracket from back of clock (see instructions below).

For more information, visit pyramidtimesystems.com or call our technical support team at 888.479.7264 during regular business hours: 8:30am-5pm EST, M-F.

SECURITY BRACKET REMOVAL

- 1 Prior to installation, detach metal security bracket from clock by inserting included release key into slot located on back of clock.
- 2 Push key all the way into slot. Key will slide easily until some resistance from locking tab is felt.
- 3 With key fully engaged, slide the security bracket up and off of the clock.



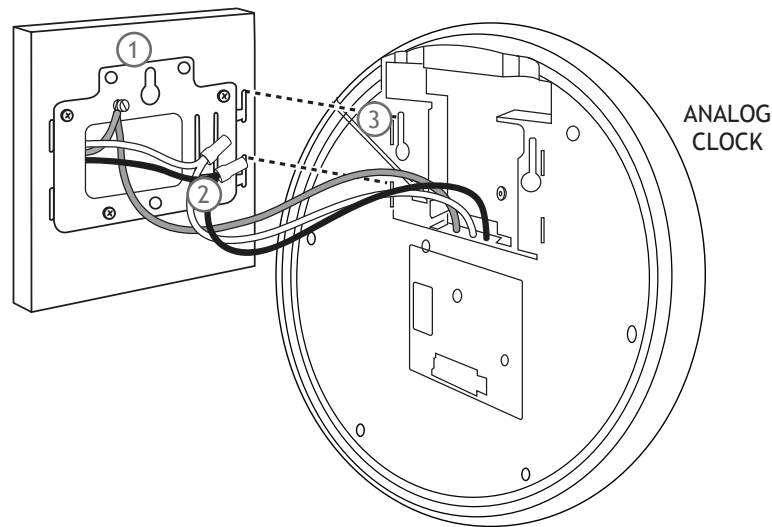
TIMETRAX™ SYNC RF WIRELESS ANALOG CLOCK

Installation Instructions

SIMPLE : SMART®

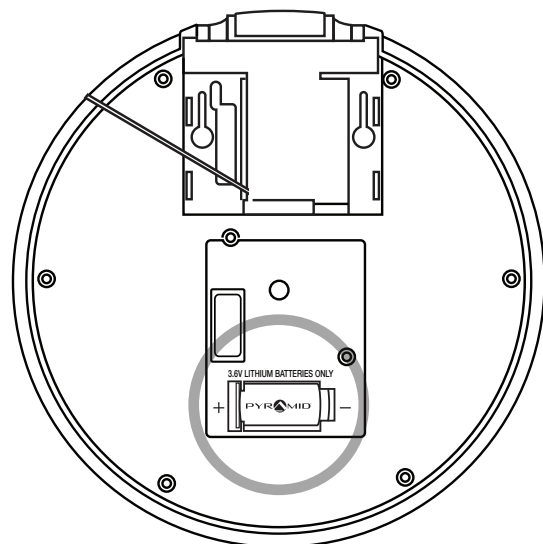
WIRED MODELS

- ① Install metal security bracket onto a standard electrical box.
- ② Make electrical connections. ***This must only be performed by a licensed electrician.***
- ③ Push clock onto security bracket aligning four tabs on bracket with four matching slots on back of terminal. Slide clock downward until locking tab clicks into place. When properly mounted, clock cannot be slid up and off bracket without using included wall bracket release key to disengage locking tab.
- ④ Upon power up, clock will initially home itself to 12:00. Clock will synchronize to the RF Wireless Transmitter immediately upon receiving a radio signal (typically 1-2 minutes).



BATTERY OPERATED MODELS

- ① Install one lithium C size battery (part #42224 sold separately) into compartment on back of clock. Clock will initially home itself to 12:00. Clock will synchronize to the RF Wireless Transmitter immediately upon receiving a radio signal (typically 1-2 minutes).
- ② Hang clock on security bracket (see steps 1&3 above).



TIMETRAX™ SYNC RF WIRELESS ANALOG CLOCK

Installation Instructions

SIMPLE : SMART®

SPECIFICATIONS		
Time Base	Transmitter /NTP, GPS, PC	
Method	902-928 MHz (frequency-hopping technology)	
	BATTERY	AC POWER (wired)
Time Update Frequency	Every 24 hours (2am)	Every 20 seconds
Power Input	3.6 Volt Lithium	105-240V AC, 50/60 Hz
Average Power Consumption	N/A	0.066 Watts
Operating Temp	-30°F (-34.44° C) to 130° F (54.44° C)	
Warranty	3-Year manufacturer's limited warranty	
Guarantee	30-Day money back guarantee	
Compliance	IEEE 802.3af/ANSI X3.263	
Includes	Clock, security mounting bracket & key, wall mounting template, security mounting bracket template	
	ABS	WOOD
Display	12 Hour, 12 Hour w/ seconds, 12/24 Hour or Custom Face	12 Hour, Roman Numeral
Case	Smooth surface 94VO/5VA ABS (black or silver finish)	Cherry, Oak or Walnut Hardwood (stain & polyurethane)
Face	Double opaque styrene	
Lens	Shatterproof, side molded, polished polycarbonate crystal	
Mounting	Wall or Dual Wall or Ceiling for 13in only	
SIZE/MATERIAL	WEIGHT	DIMENSIONS
13in ABS Bezel	2.8lbs (1.3kg)	13.25in x 2.5in (33.7cm x 6.5cm)
17in ABS Bezel	4.1lbs (1.9kg)	17in x 2.5in (43cm x 6.5cm)
16in Wood Bezel	5.5lbs (2.5kg)	16.5in x 2.4in (42cm x 6.4cm)
20in Wood Bezel	8.1lbs (3.8kg)	20.25in x 2.4in (51.1cm x 6.4cm)

ACCESSORIES	
PART#	DESCRIPTION
SASDLCWDXX	TimeTrax™ Sync Software
9T1WI	RF Desktop Transmitter with software download
S9DWSLAUB	RF Wall Mount Transmitter with software download
S9DSXOLAUB	RF Desktop Transmitter
42337	RF Wall Mount Transmitter
42320	Dual 13in Analog Clock Wall Bracket Kit
42443	Dual 13in Analog & Digital Ceiling Bracket Kit
43193-1	Analog Clock Chrome Wire Guard
42690	13in Analog Clock Wash Down Enclosure
42247J	Analog Security Mount Replacement
42429E-1	Security Key 13in Analog Clocks
42429E-3	Security Key 17in Analog Clocks and all wood bezel clocks

WARRANTY

3-YEAR LIMITED WARRANTY

Pyramid warrants its Synchronized Clock System to the original user against defective material or workmanship for a period of 3 years from date of purchase.

The manufacturer's responsibility under this Warranty is limited to repair or replacement of defective part or parts. Pyramid reserves the right to determine whether parts failed because of defective material, workmanship, or other causes. Failure caused by accident, alteration, misuse or improper packaging of returned unit is not covered by this Warranty. Any repair to equipment other than by Pyramid voids the Warranty. The rights under this Warranty are limited to original user and may not be transferred to subsequent users.

If Customer Support cannot troubleshoot your problem over the phone, we will replace your unit free of charge if it is within warranty period. Please contact Customer Support at 888.479.7264 between the hours of 8:30am and 5pm (EST), Monday through Friday, for details.

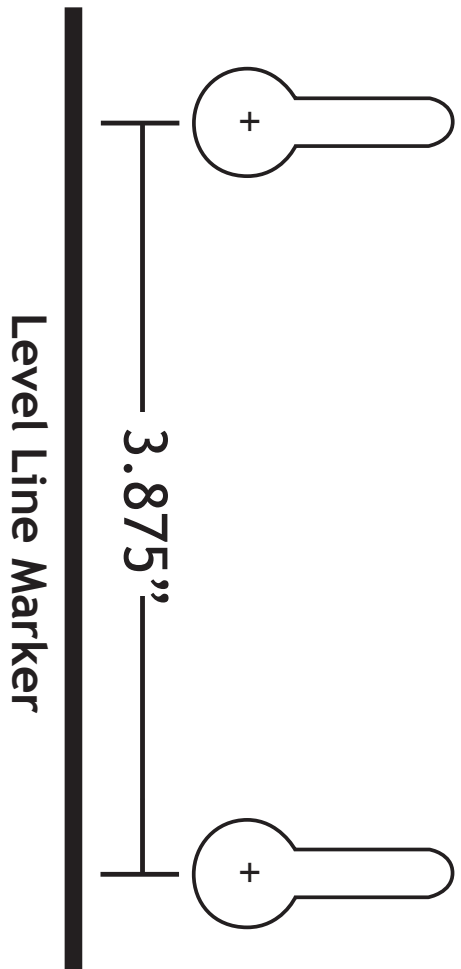
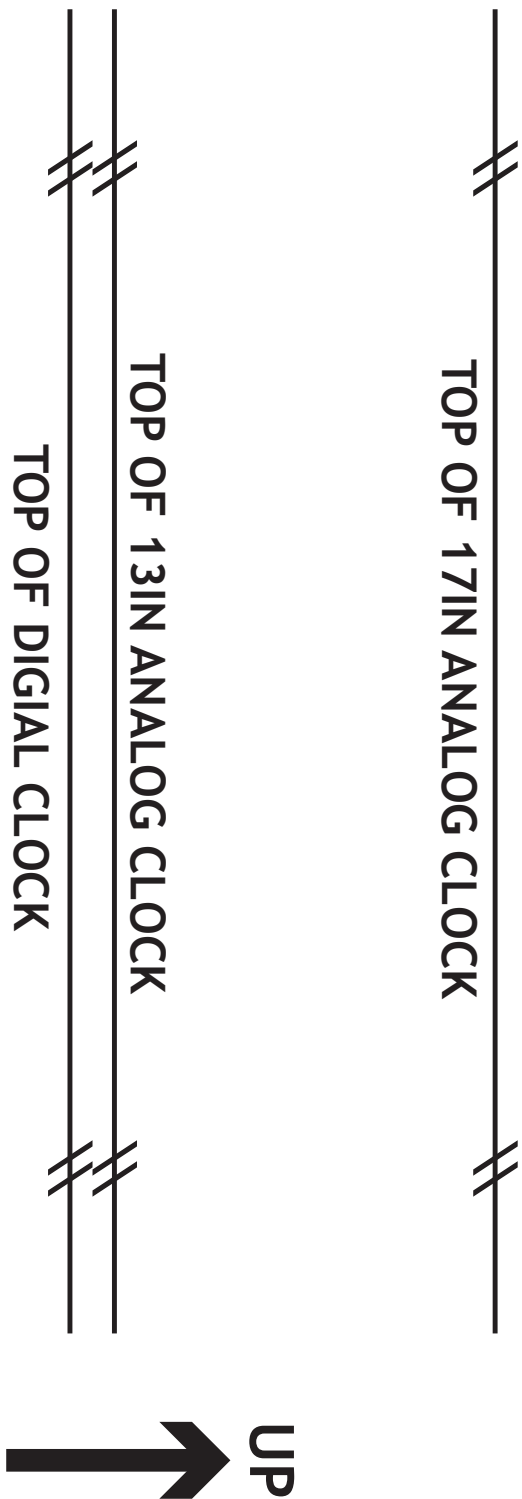
TECHNICAL SUPPORT

Should you need to speak live to one of our representatives, please call during regular business hours 8:30am-5pm EST, Monday-Friday. **Toll-free (US/Canada): 888.479.7264**
Outside US/Canada: 203-238-0550

Contact by Email: WirelessSales@ptitime.com

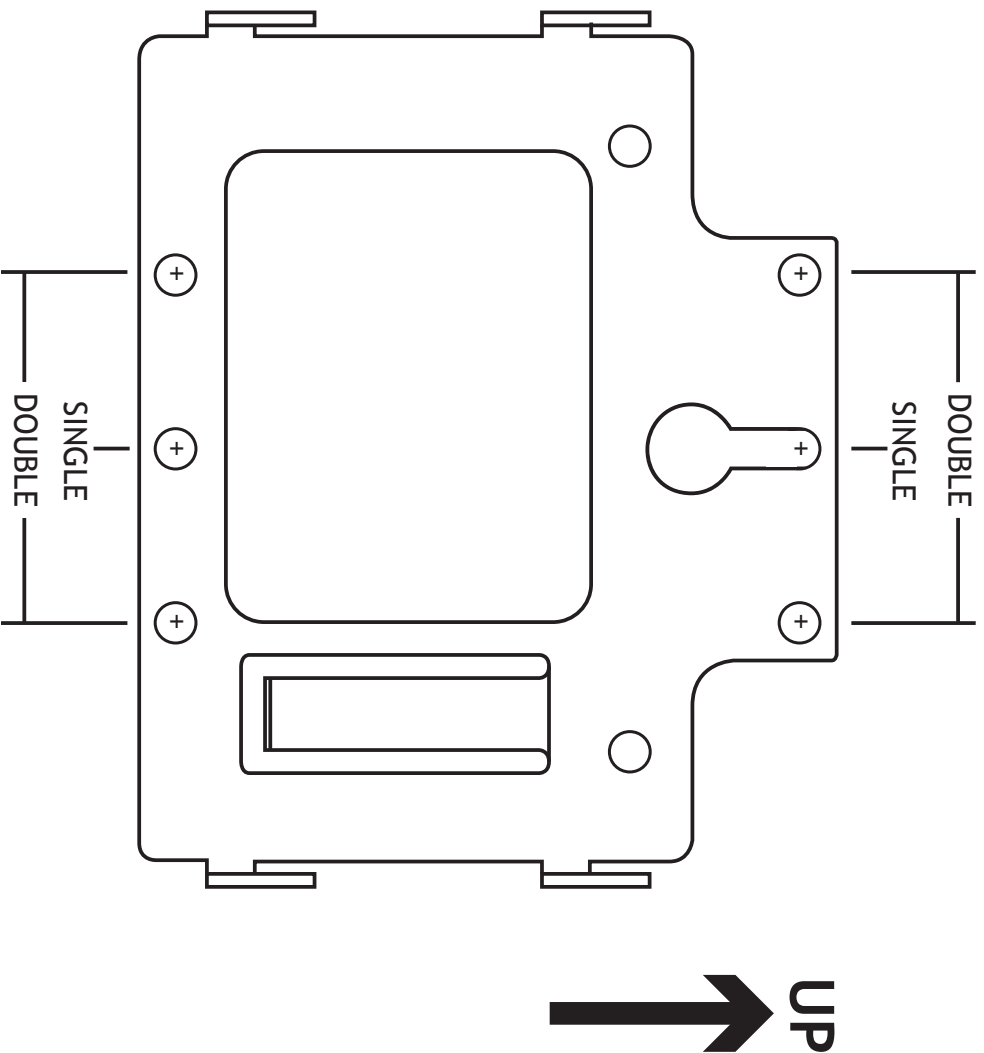
CLOCK MOUNTING TEMPLATE

Screw Guide Template Below Is Actual Size



SECURITY BRACKET MOUNTING TEMPLATE

Screw Guide Template Below Is Actual Size



NOTE:
Bracket is designed
for single or double
electrical box.

Level Line Marker