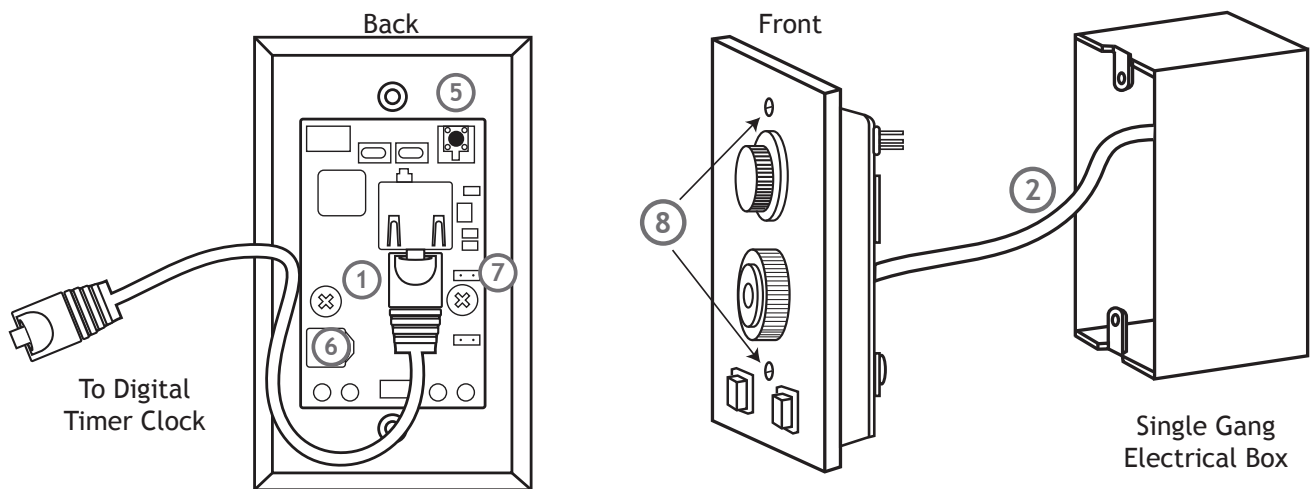


OVERVIEW

The Count Up/Down or Code Blue Controller is used in conjunction with a Digital Timer (sold separately) to monitor elapsed or remaining time during critical events, educational testing/instruction, manufacturing processes, lab testing, recreational activities, seminars, transportation depot applications, broadcasting, and other time-sensitive events. Features include a Start/Pause button to start or stop counting function. A built-in buzzer in the CTPLATEKIT signals the user when timer reaches zero in countdown mode.

INSTALLATION

- ① Connect RJ45 cable into port located in compartment on the back of Digital Timer Controller.
- ② Route the RJ45 cable through the standard single gang electrical box (not included). Pull cable through wall cavity and out to the Digital Timer Clock installation location.
- ③ Plug other end of RJ45 cable into port located on back of Digital Timer Clock (sold separately). The Controller is able to control more than one Digital Timer Clock.
- ④ Wire Digital Timer Clock according to instructions.  
**CAUTION: 110V CLOCK WIRING MUST BE COMPLETED PER ELECTRICAL CODE AND PERFORMED BY A LICENSED ELECTRICIAN.**
- ⑤ Before mounting the Digital Timer Controller to electrical box, push the buzzer volume test button located on the back in the top right corner. **NOTE: Digital Time must be powered.**
- ⑥ To increase buzzer volume in the CTPLATEKIT, turn blue volume control potentiometer clockwise. To decrease volume or deactivate buzzer, turn the potentiometer counter-clockwise.
- ⑦ To enable “pulsating” buzzer sound in the CTPLATEKIT, remove jumper from J2 and install on J1.
- ⑧ Mount Digital Timer Controller to electrical box using two screws provided.

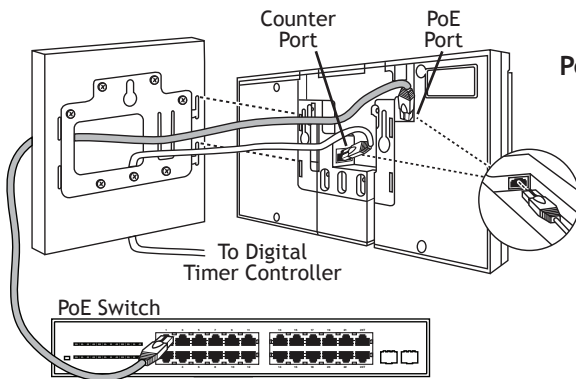
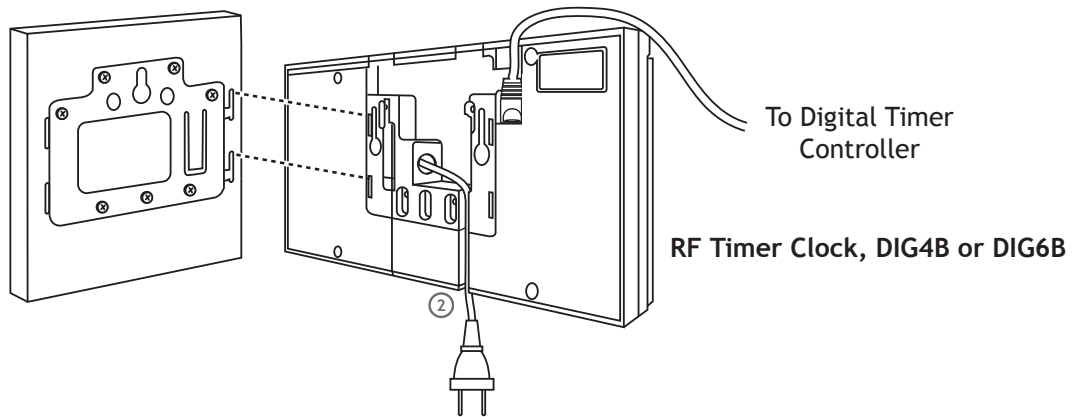
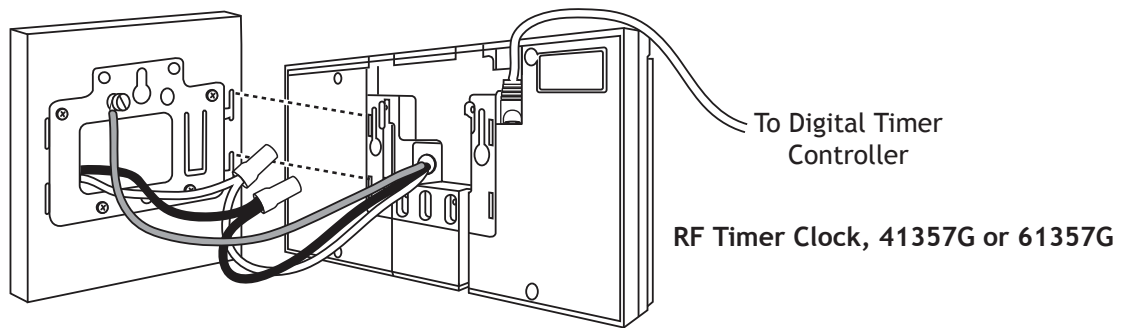
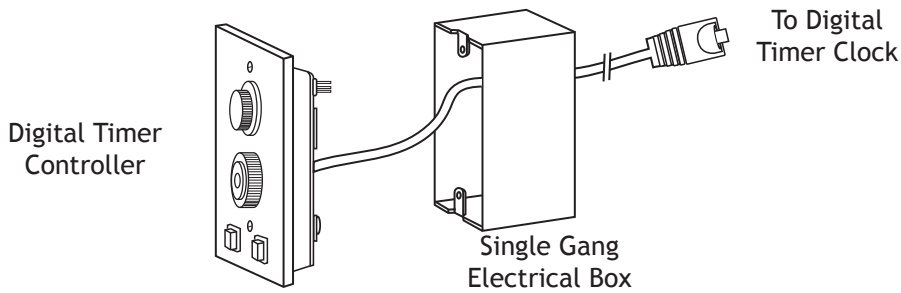


\*Use RJ45 Y-Splitter (Part# 41270) to daisy chain more than one digital timer.

TIMETRAX™ SYNC CTPLATEKIT/CBPLATEKIT COUNT UP/DOWN  
DIGITAL TIMER CONTROLLER Instructions

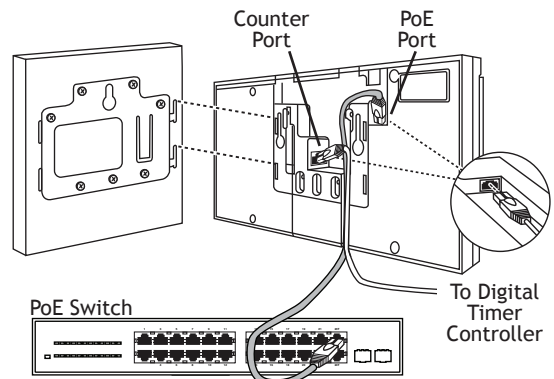
SIMPLE : SMART®

INSTALLATION



PoE Option 1

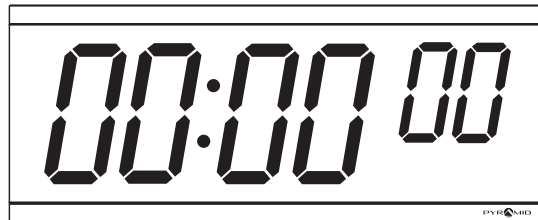
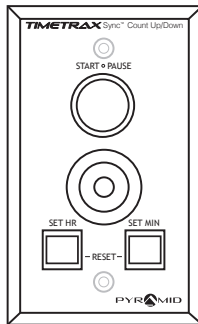
PoE Digital Timer  
SED4R6TALB



PoE Option 2

COUNT UP MODE OPERATION

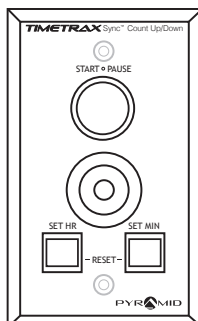
- ① To start COUNT UP, push red START/PAUSE button. Timer counts up from 00:00:00 to 99:59:59 (HH:MM:SS) on 6 digit and 00:00 to 99:59 (HH:MM) on 4 digit.
- ② To pause during COUNT UP, push red START/PAUSE button. Timer stops counting.
- ③ Push red START/PAUSE button again to restart COUNT UP.
- ④ To RESET, push SET HR and SET MIN buttons at same time. The counter displays 00:00:00 on all 6 digit and 00:00 on 4 digit.



COUNT DOWN MODE OPERATION

- ① To activate COUNTDOWN, push either SET HR or SET MIN button. Timer displays all zeros.
- ② Push SET HR and/or SET MIN to change display to desired starting time.
- ③ To start COUNTDOWN, push red START/PAUSE button. Timer counts down from desired hours/minutes and buzzer on CTPLATEKIT will sound at completion of time interval.
- ④ To pause during COUNTDOWN, push red START/PAUSE button. Timer stops counting.
- ⑤ To stop buzzer, push SET HR or SET MIN button.
- ⑥ Push red START/PAUSE button again to restart COUNTDOWN.
- ⑦ To RESET, push SET HR and SET MIN buttons at the same time. The counter will display all zeros.

NOTE: In countdown mode, timer will count to a negative 99:59:59 on 6-digit clocks or negative 99:59 on 4-digit clocks. Display flashes when counting negative.



# TIMETRAX™ SYNC CTPLATEKIT/CBPLATEKIT COUNT UP/DOWN DIGITAL TIMER CONTROLLER Instructions

SIMPLE : SMART®

## USING YOUR DIGITAL TIME CLOCK AS A REGULAR TIME SOURCE

Should you choose, you have an option to have your clocks function as regular wall clocks when not in the COUNT UP/DOWN modes.

If you have an RF Digital Time Clock (see accessory list for part numbers), you can pair it with a transmitter and software (see accessory list for part numbers). These optional accessories will sync accurate time to all RF clocks when not using them as counters.

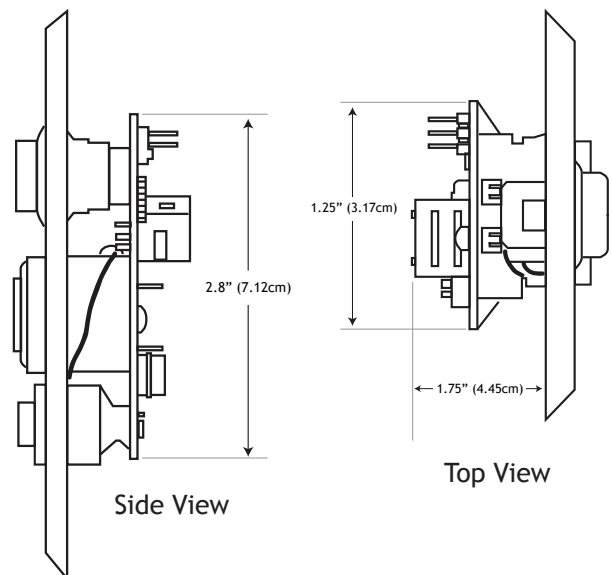
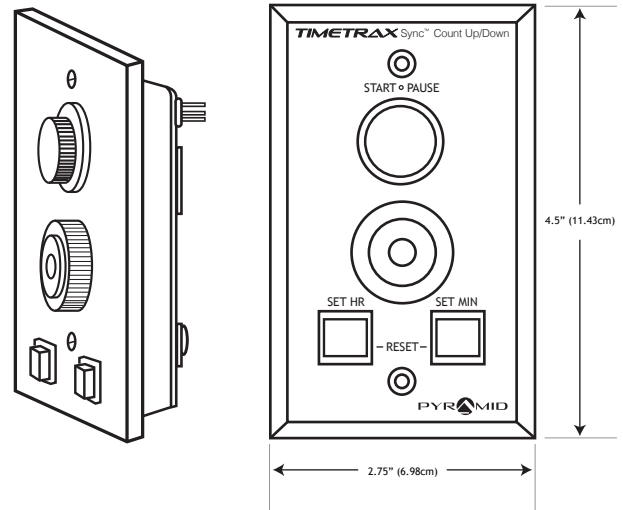
If you have a PoE Digital Timer Clock (SED4R6TALB), you can pair it with the TimeTrax™ Sync Software (SASDLCWDXX). This optional software will sync accurate time to all connected PoE clocks when not being used as a counter.

## ACCESSORIES

PART#	DESCRIPTION
9D26BRCT	RF Digital Timer Clock, 2.5" x 6 digit, red LED, black bezel, 105-240V AC
S9D2R6CAL5	RF Digital Timer Clock, 2.5" x 6 digit, red LED, silver bezel, 105-240V AC
S9D4R6CALB	RF Digital Timer Clock, 4" x 6 digit, red LED, black bezel, 105-240V AC
S9D2B6CALB	RF Digital Timer Clock, 2.5" x 6 digit, blue LED, black bezel, 105-240V AC
S9D2R6CAUB	RF Digital Timer Clock, 2.5" x 6 digit, red LED, black bezel, 6' Cord
S9D4R6CAUB	RF Digital Timer, 4" x 6 digit, red LED, black bezel, 6' Cord
S9D2B6CAUB	RF Digital Timer, 2.5" x 6 digit, blue LED, black bezel, 6' Cord
S9D4B6CAUB	RF Digital Timer, 4" x 6 digit, blue LED, black bezel, 6' Cord
SED4R6TALB	PoE Digital Timer, 4" x 6 digit, red LED, black bezel, PoE 48VDC
DIG-4B	4" x 4 digit, red LED, black bezel, 6' cord, stand-alone BCD, 110V AC
DIG-6B	4" x 6 digit, red LED, black bezel, 6' cord, stand-alone BCD, 110V AC
41357G	4" x 4 digit, red LED, black bezel, BCD/58th-59th, 105-240V AC
61357G	4" x 6 digit, red LED, black bezel, BCD/58th-59th, 105-240V AC
9T1WI*	TimeTrax™ Sync RF Wireless Transmitter, shelf mount with software
S9DWXSLAUB	TimeTrax™ Sync RF Wireless Transmitter, wall mount with software
SASDLCWDXX	TimeTrax™ Sync software
42227A-1	RJ45 Cable, 20'
41269	RJ45 Cable, 50'
41314	RJ45 Cable, 100'
41270	RJ45 Y-Splitter Cable

## SPECIFICATIONS

	6-Digit Clock (HH:MM:SS)	4 Digit Clocks (HH:MM)
Count Mode UP	00:00:00 to 99:59:59	00:00 to 99:59
Count Mode DOWN	Programmable Start Time	
Display Format	Hours, Minutes, Seconds	Hours, Minutes
Mounting	Standard single gang electrical box	
Power	Digital Timer Connection Cable (BCD)	
Functions	Count Up, Start/Stop, Count Down, Reset	
Features	Optional Buzzer on CTPLATEKIT	
Dimensions	2.75"W x 4.5"H x 1.75"D	
Weight	0.187 lbs	
Material	Stainless Steel	
Includes	Switch Plate, Mounting Screws, 20' RJ45 Cable, Instructions	



WARRANTY

3-YEAR LIMITED WARRANTY

Pyramid warrants its Synchronized Clock System to the original user against defective material or workmanship for a period of 3 years from date of purchase.

The manufacturer's responsibility under this Warranty is limited to repair or replacement of defective part or parts. Pyramid reserves the right to determine whether parts failed because of defective material, workmanship, or other causes. Failure caused by accident, alteration, misuse or improper packaging of returned unit is not covered by this Warranty. Any repair to equipment other than by Pyramid voids the Warranty. The rights under this Warranty are limited to original user and may not be transferred to subsequent users.

If Customer Support cannot troubleshoot your problem over the phone, we will replace your unit free of charge if it is within warranty period. Please contact Customer Support at 888.479.7264 between the hours of 8:30am and 5pm (EST), Monday through Friday, for details.

TECHNICAL SUPPORT

Should you need to speak live to one of our representatives, please call toll-free (US/Canada) at 888.479.7264 during regular business hours: 8:30am-5pm EST, Monday-Friday, or email: [WirelessSales@ptitime.com](mailto:WirelessSales@ptitime.com)